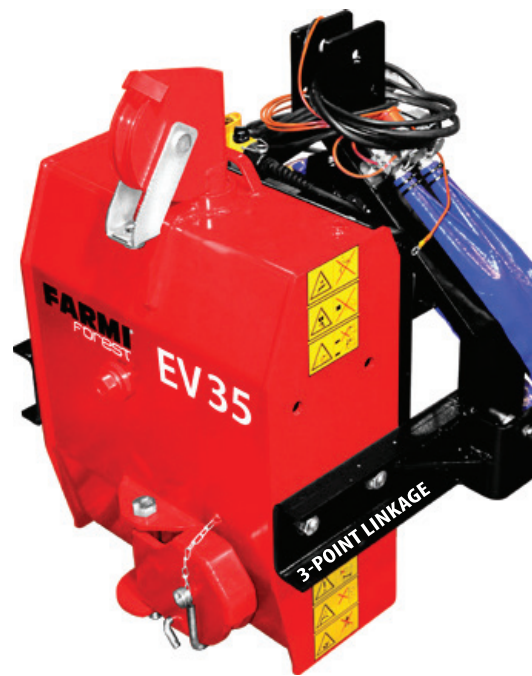


# FARMMI® FOREST

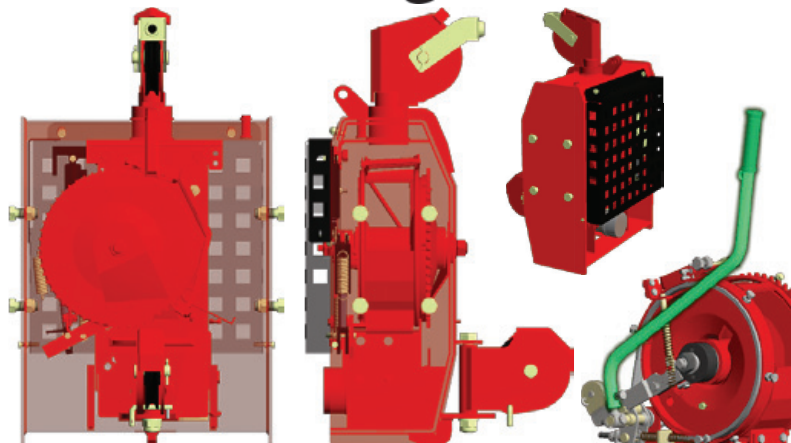
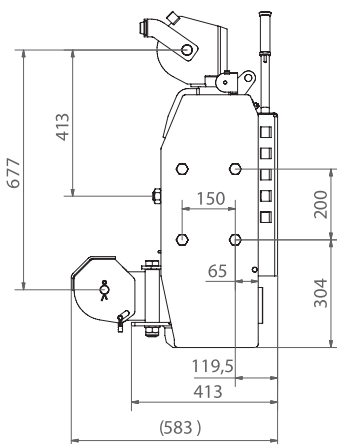
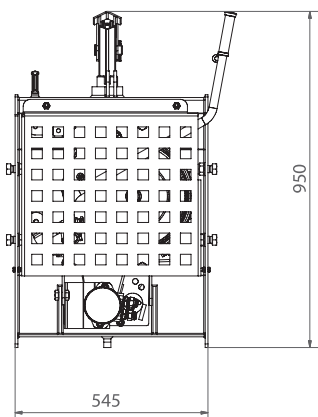
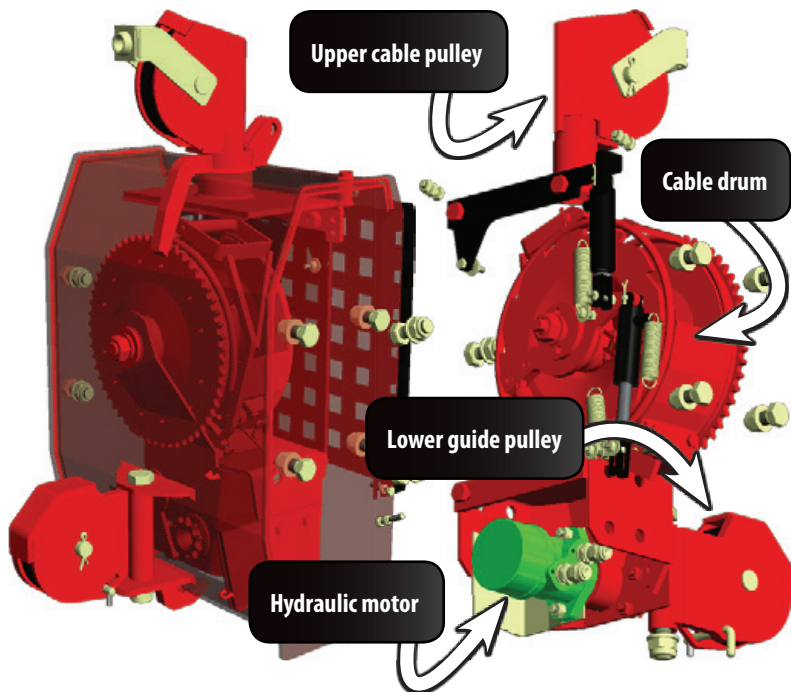
Smart Choices - Since 1962

## FARMMI EV35R Hydraulic Winch



FARMMI EV35R hydraulic winch is a handy tool and can be used with all kind of vehicles where there are hydraulic power available. EV35R winch is often assembled on to the front of agriculture or forest tractor and it's used as a multi-purpose winch for all kind of work. This winch can as well be mounted on other kind of construction machines and vehicles like on skid steers, excavators, trucks etc. A special frame is available as an accessory for assembling the winch to the 3-point linkage of a tractor (front or rear). The standard model can be operated by a rope, but there's also available a hydraulically operated model.

TECHNICAL SPECIFICATIONS	FARMMI EV 35
Max. line pull with empty drum	<b>35 kN</b>
Min. line pull with full drum	<b>13 kN</b>
Cable capacity (1,96 kN/mm <sup>2</sup> )	<b>60 m, Ø 10 mm</b>
Winching speed with 160 cc hydraulic motor	<b>0,41 - 1,02 m/s</b>
Weight (without cable)	<b>160 kg</b>
Clutch	<b>Mechanical friction plate clutch with heat sink</b>
Power transmission	<b>Hydraulic motor (HOF)</b>
Mounting	<b>Front of the tractor / three-point hitch</b>
Maximum working pressure	<b>170 bar</b>
Recommended pump capacity	<b>40-60 l/min</b>
Brake	<b>Ratchet brake</b>



Distribué par / Distributed by :



**MTI Canada**  
Tél. / tel.: 418 839-4127  
Français: 1 866 667-6328  
English: 1 866 718-4746  
Télééc. / Fax: 1 800 363-7157

[www.mticanada.ca](http://www.mticanada.ca) • [info@mticanada.ca](mailto:info@mticanada.ca)